

# Patient Monitor Cable and Leadwire



Contact: [Csizmadia György](mailto:Csizmadia György)  
 E-mail : [trimus@t-online.hu](mailto:trimus@t-online.hu)  
 Website [www.trimus.hu](http://www.trimus.hu)

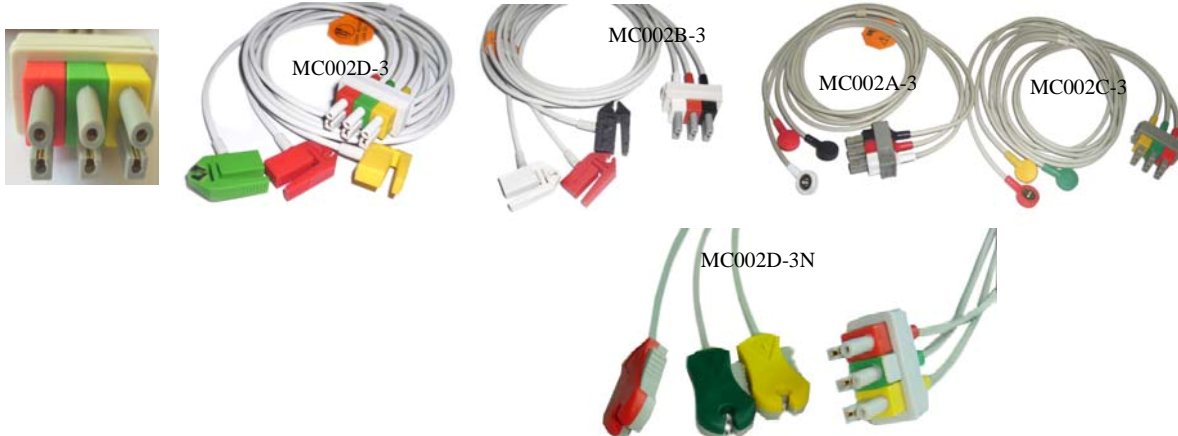
## Patient Monitor Cable and Leadwire

### HP

OEM Part No.	No.	Description (Cable & Connector)
M1510A	MC001A-3	HP <b>3-Lead</b> monitoring <b>IEC</b> trunk cable , 9ft & 12pin
M1500A	MC001B-3	HP <b>3-Lead</b> monitoring <b>AHA</b> trunk cable , 9ft & 12pin
M1520A	MC001B-5	HP <b>5-Lead</b> monitoring <b>AHA</b> trunk cable , 9ft & 12pin
M1530A	MC001A-5	HP <b>5-Lead</b> monitoring <b>IEC</b> trunk cable , 9ft & 12pin



OEM Part No.	No.	Description (Cable & Connector)
M1605A	MC002A-3	HP ECG safty Lead set , <b>3-Lead</b> , <b>AHA</b> , 3ft , <b>AA 2PIN/ Snap</b>
M1603A	MC002B-3	HP ECG safty Lead set , <b>3-Lead</b> , <b>AHA</b> , 3ft , <b>AA 2PIN/Grabber</b>
M1615A	MC002C-3	HP ECG safty Lead set , <b>3-Lead</b> , <b>IEC</b> , 3ft , <b>AA 2PIN/ Snap</b>
M1613A	MC002D-3	HP ECG safty Lead set , <b>3-Lead</b> , <b>IEC</b> , 3ft , <b>AA 2PIN/Grabber</b>
M1603A	MC002B-3N	HP ECG safty Lead set , <b>3-Lead</b> , <b>AHA</b> , 3ft , <b>AA 2PIN/Grabber</b> , with New Grabber .
M1613A	MC002D-3N	HP ECG safty Lead set , <b>3-Lead</b> , <b>IEC</b> , 3ft , <b>AA 2PIN/Grabber</b> , With New Grabber



OEM Part No.	No.	Description (Cable & Connector)
M1625A	MC003A-5	HP ECG safty Lead set , <b>5-Lead</b> , <b>AHA</b> , 3ft , AA 2PIN/ Snap
M1623A	MC003B-5	HP ECG safty Lead set , <b>5-Lead</b> , <b>AHA</b> , 3ft , AA 2PIN/Grabber
M1635A	MC003C-5	HP ECG safty Lead set , <b>5-Lead</b> , <b>IEC</b> , 3ft , AA 2PIN/ Snap
M1633A	MC003D-5	HP ECG safty Lead set , <b>5-Lead</b> , <b>IEC</b> , 3ft , AA 2PIN/Grabber
M1623A	MC003B-5N	HP ECG safty Lead set , <b>5-Lead</b> , <b>AHA</b> , 3ft , AA 2PIN/Grabber , With New Grabber
M1633A	MC003D-5N	HP ECG safty Lead set , <b>5-Lead</b> , <b>IEC</b> , 3ft , AA 2PIN/Grabber , With New Grabber



## Patient Monitor Cable and Leadwire

OEM Part No.	No.	Description (Cable & Connector)
M1668A	MC065-5	HP M1668A 5-lead Trunk cable , AAMI & IEC label included . Round 12PIN
M1968A	MC065A-5	HP M1968A 5-lead leadwires , <b>AHA</b> , Grabber
M1664A	MC065B-5	HP M1664A 5-lead leadwires , <b>AHA</b> , Snap
M1971A	MC065A-5I	HP M1971A 5-lead leadwires , <b>IEC</b> , Grabber
M1645A	MC065B-5I	HP M1945A 5-lead leadwires <b>IEC</b> , Snap



OEM Part No.	No.	Description (Cable & Connector)
M1669A	MC065-3	HP M1669A 3-lead Trunk cable , AAMI & IEC label included . Round 12PIN
M1671A	MC065A-3	HP M1971A 3-lead leadwires , <b>AHA</b> , Grabber
M1673A	MC065B-3	HP M1673A 3-lead leadwires , <b>AHA</b> , Snap
M1972A	MC065A-3I	HP M1972A 3-lead leadwires , <b>IEC</b> , Grabber
M1974A	MC065B-3I	HP M1974A 3-lead leadwires <b>IEC</b> , Snap



### HP ONE-PIECE Cable with Leadwires

OEM Part No.	No.	Description (Cable & Connector)
	MC001-5AS	HP <b>one piece</b> ECG cable with leadwires,AHA,5-Lead,Snap , 12pin
	MC001-5AG	HP <b>one piece</b> ECG cable with leadwires,AHA,5-Lead,Grabber , 12pin
	MC001-3AS	HP <b>one piece</b> ECG cable with leadwires,AHA,3-Lead,Snap , 12pin
	MC001-3AG	HP <b>one piece</b> ECG cable with leadwires,AHA,3-Lead,Grabber , 12pin
	MC001-5IS	HP <b>one piece</b> ECG cable with leadwires,IEC,5-Lead,Snap , 12pin
	MC001-5IG	HP <b>one piece</b> ECG cable with leadwires,IEC,5-Lead,Grabber 12pin
	MC001-3IS	HP <b>one piece</b> ECG cable with leadwires,IEC,3-Lead,Snap , 12pin
	MC001-3IG	HP <b>one piece</b> ECG cable with leadwires,IEC,3-Lead,Grabber , 12pin



**Compatibilities :** Above items Use with **Philips Medical System** : 78352C, 78354C, 78834C, M1001A/B, M1002A/B, M1722A/B, M1723A/B, M2475B, M3000A, M3001A, M 4735A

### HP/Philips

OEM Part No.	No.	Description (Cable & Connector)
M1735A	MC004A-3	HP 3-Lead monitoring IEC one piece cable with leadwires , 10ft , 8pin
M1733A	MC004B-3	HP 3-Lead monitoring AHA one piece cable with leadwires , 10ft , 8pin
M1734A	MC005A-5	HP 5-Lead monitoring AHA one piece cable with leadwires , 10ft , 8pin
M1736A	MC005B-5	HP 5-Lead monitoring IEC one piece cable with leadwires , 10ft , 8pin



## Patient Monitor Cable and Leadwire

**Compatibilities** Use with **Philips Medical Systems** : M1722A/B, M1723A/b, M2475B, M3500B, 78619A, 78620A, 78660A/B.... Defibrillator with 8pin connector

OEM Part No.	No.	Description (Cable & Connector)
M1735A	MC004A-3TI	HP 3-Lead monitoring IEC trunk cable ,8pin->AA 2pin
M1733A	MC004B-3TA	HP 3-Lead monitoring AHA trunk cable ,8pin->AA 2pin
M1734A	MC005A-5TI	HP 5-Lead monitoring IEC trunk cable ,8pin->AA 2pin
M1736A	MC005B-5TA	HP 5-Lead monitoring AHA trunk cable ,8pin->AA 2pin



**GE Marquette :**

OEM Part No.	No.	Description (Cable & Connector)
2017003-003	MC006A	GE-Marquette 5-LEAD ECG cable , AHA , 12ft, 11PIN
	MC006B	GE-Marquette 5-LEAD ECG cable , IEC , 12ft, 11PIN



OEM Part No.	No.	Description (Cable & Connector)
	MC007A	GE Marquette Multi-link Leadwire set <u>5-Lead</u> , <u>Snap</u> , <u>AHA</u> , <u>29in (76cm)</u> & VS 2Pin
	MC007B	GE Marquette Multi-link Leadwire set <u>5-Lead</u> , <u>Grabber</u> , <u>AHA</u> , <u>29in (76cm)</u> & VS 2Pin
	MC007C	GE Marquette Multi-link Leadwire set <u>5-Lead</u> , <u>Snap</u> , <u>IEC</u> , <u>29in (76cm)</u> & VS 2Pin
414556-003	MC007D	GE Marquette Multi-link Leadwire set <u>5-Lead</u> , <u>Grabber</u> , <u>IEC</u> , <u>29in (76cm)</u> & VS 2Pin
	MC007AL	GE Marquette Multi-link Leadwire set <u>5-Lead</u> , <u>Snap</u> , <u>AHA</u> , <u>51in (130cm)</u> & VS 2Pin
	MC007BL	GE Marquette Multi-link Leadwire set <u>5-Lead</u> , <u>Grabber</u> , <u>AHA</u> , <u>51in (130cm)</u> & VS 2Pin
	MC007CL	GE Marquette Multi-link Leadwire set <u>5-Lead</u> , <u>Snap</u> , <u>IEC</u> , <u>51in (130cm)</u> & VS 2Pin
414556-004	MC007DL	GE Marquette Multi-link Leadwire set <u>5-Lead</u> , <u>Grabber</u> , <u>IEC</u> , <u>51in (130cm)</u> & VS 2Pin
	MC007AM	GE Marquette Multi-link Leadwire set <u>5-Lead</u> , <u>Snap</u> , <u>AHA</u> , <u>RL,LL,V 130cm, RA LA 74cm</u>
	MC007BM	GE Marquette Multi-link Leadwire set <u>5-Lead</u> , <u>Grabber</u> , <u>AHA</u> , <u>RL,LL,V 130cm, RA LA 74cm</u>
	MC007CM	GE Marquette Multi-link Leadwire set <u>5-Lead</u> , <u>Snap</u> , <u>IEC</u> , <u>51in (130cm)</u> & <u>N,F,C 130cm , R L 74cm</u>
	MC007DM	GE Marquette Multi-link Leadwire set <u>5-Lead</u> , <u>Grabber</u> , <u>IEC</u> , <u>N,F,C 130cm , R L 74cm</u>




OEM Part No.	No.	Description (Cable & Connector)
	MC007A-3	GE Marquette Multi-link Leadwire set <u>3-Lead</u> , <u>Snap</u> , <u>AHA</u> , <u>29in (76cm)</u> & VS 2Pin
	MC007B-3	GE Marquette Multi-link Leadwire set <u>3-Lead</u> , <u>Grabber</u> , <u>AHA</u> , <u>29in (76cm)</u> & VS 2Pin
	MC007C-3	GE Marquette Multi-link Leadwire set <u>3-Lead</u> , <u>Snap</u> , <u>IEC</u> , <u>29in (76cm)</u> & VS 2Pin
412682-003	MC007D-3	GE Marquette Multi-link Leadwire set <u>3-Lead</u> , <u>Grabber</u> , <u>IEC</u> , <u>29in (76cm)</u> & VS 2Pin



## Patient Monitor Cable and Leadwire

### GE-Marquette ONE-PIECE CABLE WITH LEADWIRES

OEM Part No.	No.	Description (Cable & Connector)
	MC006-5AS	GE-Marquette one piece ECG cable with leadwire,5-lead,AHA,Snap. 11pin
	MC006-5AG	GE-Marquette one piece ECG cable with leadwire,5-lead,AHA,Grabber
	MC006-3AS	<b>GE-Marquette one piece</b> ECG cable with leadwires,AHA,3-Lead,Snap
	MC006-3AG	<b>GE-Marquette one piece</b> ECG cable with leadwires,AHA,3-Lead,Grabber
	MC006-5IS	GE-Marquette one piece ECG cable with leadwire,5-lead,IEC,Snap.
	MC006-5IG	GE-Marquette one piece ECG cable with leadwire,5-lead,IEC,Grabber
	MC006-3IS	<b>GE-Marquette one piece</b> ECG cable with leadwires,IEC,3-Lead,Snap
2021141-002	MC006-3IG	<b>GE-Marquette one piece</b> ECG cable with leadwires,IEC,3-Lead,Grabber



### GE-Marquette DIN Style

OEM Part No.	No.	Description (Cable & Connector)
	MC006DA/I-5	GE-Marquette 5-LEAD ECG cable , AHA/IEC label, 12ft, DIN yoke , GE 11pin
	MC006DA/I -3	GE-Marquette 3-LEAD ECG cable , AHA , 12ft, DIN yoke , GE 11pin



Suitable for **GE MEDICAL SYSTEM** : Dash Pro4000, DASH PRO 3000, Dash PRO 2000, Dash 1000, Eagle system, MAC-Lab, Solar 9500, Solar 8000, Solar 3000, Tram 100, Tram 200, Tram 300, Tram 400, Tram 500, Tram 600, Unity System .

OEM Part No.	No.	Description (Cable & Connector)
	MC008-3A	PRo1000 <b>3-Lead</b> ECG cable , AHA, 12ft , & 6PIN .
	MC008-5	PRo1000 <b>5-Lead</b> ECG Trunk cable , AHA, 12ft , & 6PIN .
	MC008-3I	PRo1000 <b>3-Lead</b> ECG cable , IEC, 12ft , & 6PIN .
	MC009A	Pro1000 leadwire set <b>3-Lead , grabber , AHA</b> , 100CM and 2PIN.
	MC009-3IG	Pro1000 leadwire set <b>3-Lead , grabber , IEC</b> , 100CM and 2PIN.
	MC009B	Pro1000 leadwire set <b>3-Lead , Snap , AHA</b> , 100CM and 2PIN.
	MC009-3IS	Pro1000 leadwire set <b>3-Lead , Snap , IEC</b> , 100CM and 2PIN.
	MC009D-5A	Pro1000 leadwire set, <b>5-Lead , grabber , AHA</b> , 100CM and 2PIN.
	MC009D-5I	Pro1000 leadwire set, <b>5-Lead , grabber , IEC</b> , 100CM and 2PIN.
	MC009C-5A	Pro1000 leadwire set <b>5-Lead , Snap , AHA</b> , 100CM and 2PIN.
	MC009C-5I	Pro1000 leadwire set <b>5-Lead , Snap , IEC</b> , 100CM and 2PIN.



Compatibilities: Suitable for **Ge Medical System : Pro1000**

### GE Pro1000 on piece version :

OEM Part No.	No.	Description (Cable & Connector)
	MC008-5AS	<b>GE pro series</b> one piece ECG cable with leadwire,5-I
	MC008-5AG	<b>GE pro series</b> one piece ECG cable with leadwire,5-I
	MC008-3AS	<b>GE pro series one piece</b> ECG cable with leac

## Patient Monitor Cable and Leadwire

	MC008-3AG	<b>GE pro series one piece</b> ECG cable with leadwires,AHA,3-Lead,Grabber, 6pin
	MC008-5IS	<b>GE pro series</b> one piece ECG cable with leadwire,5-lead,IEC,Snap, 6pin
	MC008-5IG	<b>GE pro series</b> one piece ECG cable with leadwire,5-lead,IEC,Grabber, 6pin
	MC008-3IS	<b>GE pro series</b> ECG cable with leadwires,IEC,3-Lead,Snap , 6pin
	MC008-3IG	<b>GE pro series</b> ECG cable with leadwires,IEC,3-Lead,Grabber , 6pin




### **Spacelab:**

OEM Part No.	No.	Description (Cable & Connector )
700-0008-07	MC010A	Tru-Link ECG cable , 5-Lead , IEC, 10ft & 17PIN
700-0007-09	MC010BI	Tru-Link Leadwire sets , 5-Lead , Snap , IEC, 24in & 2PIN
	MC010BA	Tru-Link Leadwire sets , 5-Lead , Snap , AHA, 24in & 2PIN
	MC010CI	Tru-Link Leadwire sets , 5-Lead , Grabber , IEC, 24in & 2PIN
	MC010CA	Tru-Link Leadwire sets , 5-Lead , Grabber ,AHA , 24in & 2PIN
	MC010BI-3	Tru-Link Leadwire sets , 3-Lead , Snap , IEC, 24in & 2PIN
	MC010BA-3	Tru-Link Leadwire sets , 3-Lead , Snap , AHA, 24in & 2PIN
	MC010CI-3	Tru-Link Leadwire sets , 3-Lead , Grabber , IEC, 24in & 2PIN
	MC010CA -3	Tru-Link Leadwire sets ,3-Lead , Grabber ,AHA , 24in & 2PIN



### **SpaceLab ONE-PIECE Cable with Leadwires**

OEM Part No.	No.	Description (Cable & Connector )
	MC010-5AS	Spacelab one piece ECG cable with leadwires ,5-lead,AHA,snap, Round 17pin
	MC010-5AG	Spacelab one piece ECG cable with leadwires ,5-lead,AHA,Grabber, Round 17pin
	MC010-5IS	Spacelab one piece ECG cable with leadwires ,5-lead,IEC,snap ,Round 17pin
	MC010-5IG	Spacelab one piece ECG cable with leadwires ,5-lead,IEC,Grabber ,Round 17pin

**Compatibility :** Suitable for **Spacelab medical Instrument**:90496 Ultraview , 90369 Ultraview, 90367 Ultraview



### **Datex**

OEM Part No.	No.	Description (Cable & Connector )
LL-2395	MC013-3	Lifelink Shield safety ECG cable ,3-Lead 9ft & 10PIN/LL-3
LL-2595	MC015-5	Lifelink Shield safety ECG cable ,5-Lead 9ft & 10PIN/LL-5
LL-22363-P	MC023A-3	Lifelink Shielded ECG leadwire set <b><u>3-Lead</u></b> , Snap ,AHA, 40in & 2Pin
	MC023C-3	LL safety ECG leadwires set,3-Lead <b><u>Snap,IEC</u></b> ,40in ,LL-2PIN .
LL-22305-P	MC024A-5	Lifelink Shielded ECG leadwire set <b><u>5-Lead</u></b> , Snap ,AHA, 40in & 2Pin
	MC024C-5	LL safety ECG leadwires set,5-Lead <b><u>Snap,IEC</u></b> ,40in , LL-2PIN .



## Patient Monitor Cable and Leadwire

### Datex Din TYPE :

OEM Part No.	No.	Description (Cable & Connector)
	MC013-3D	Datex 3-LEAD ECG cable , DIN yoke , Datex 10pin Female
	MC013-5D	Datex 5-LEAD ECG cable ,DIN yoke , Datex 10pin Female .



OEM Part No.	No.	Description (Cable & Connector)
545315	MC036A	ECG leadwire set , 3-Lead <u>Grabber</u> , IEC , 29in & 2PIN
	MC036B	ECG leadwire set , 3-Lead <u>Snap</u> , IEC , 29in & 2PIN
545316	MC009D-5A	Pro1000 leadwire set, <u>5-Lead</u> , <u>grabber</u> , IEC, 100CM and 2PIN.
	MC009D-5I	Pro1000 leadwire set, <u>5-Lead</u> , <u>grabber</u> , AHA, 100CM and 2PIN.
	MC054-3A	Datex-Ohmeda 3-Lead Trunk Cable , AHA
545300	MC054-3I	Datex-Ohmeda 3-Lead Trunk Cable , IEC
545305	MC054-5A	Datex-Ohmeda 5-Lead Trunk Cable , AHA
545301	MC054-5I	Datex-Ohmeda 5-Lead Trunk Cable , IEC



Use with Datex-Ohmeda : AS/3, CS/3, S/5, Cardiocap 1, Cardiocap 5,



### Datex

OEM Part No.	No.	Description (Cable & Connector)
	MC013-5AS	Datex one piece ECG cable with leadwire,5-lead,AHA, Snap , 10 pin female
	MC013-5AG	Datex one piece ECG cable with leadwire,5-lead, AHA,Grabber , 10 pin female
	MC013-3AS	Datex one piece ECG cable with leadwire,3-lead, AHA ,Snap , 10 pin female
	MC013-3AG	Datex one piece ECG cable with leadwire,3-lead, AHA ,Grabber , 10 pin female
	MC013-5IS	Datex one piece ECG cable with leadwire,5-lead,IEC, Snap , 10 pin female
	MC013-5IG	Datex one piece ECG cable with leadwire,5-lead,IEC,Grabber , 10 pin female
	MC013-3IS	Datex one piece ECG cable with leadwire,3-lead,IEC,Snap , 10 pin female
	MC013-3IG	Datex one piece ECG cable with leadwire,3-lead,IEC,Grabber , 10 pin female

Use with Datex-Ohmeda : AS/3, CS/3, S/5, Cardiocap 1, Cardiocap 5, Light Monitor , satliteplus



### FUKUDA DENSHI :

OEM Part No.	No.	Description (Cable & Connector)
	MC060-5AS	Fukuda Denshi one piece ECG cable with leadwire,5-lead,AHA,Snap, 12pin
	MC060-5AG	Fukuda Denshi one piece ECG cable with leadwire,5-lead,AHA,Grabber, 12pin
	MC060-3AS	Fukuda Denshi one piece ECG cable with leadwire,3-lead,AHA,Snap, 12pin
	MC060-3AG	Fukuda Denshi one piece ECG cable with leadwire,3-lead,AHA,Grabber, 12pin
	MC060-5IS	Fukuda Denshi one piece ECG cable with leadwire,5-lead,IEC,Snap , 12pin
	MC060-5IG	Fukuda Denshi one piece ECG cable with leadwire,5-lead.IEC.Grabber. 12pin
	MC060-3IS	Fukuda Denshi one piece ECG cable with leadwire,3-
	MC060 -3IG	Fukuda Denshi one piece ECG cable with leadwire,3-

Compatibilities :

Created with

## Patient Monitor Cable and Leadwire



OEM Part No.	No.	Description (Cable & Connector)
	MC058-5I	Fukuda Denshi 5-lead ECG cable , IEC , Round 12pin
	MC058-5A	Fukuda Denshi 5-LEAD ECG cable , IEC , Round 12pin



Compatible with Fukuda DYNASCOPE 7100, 7200, 7300 .  
beside monitor DS-7101LT , DS-7141 , DS-7101L

### Din Series

OEM Part No.	No.	Description (Cable & Connector)
	MC017A-5	DIN safty ECG trunk cable , <b>5-lead</b> , 9ft , <b>120° angle connector</b> ,6PIN
	MC017B-5	DIN safty ECG trunk cable , <b>5-lead</b> , 9ft , <b>180° straight connector</b> ,6PIN
	MC018A-3	DIN safty ECG trunk cable , <b>3-lead</b> , 9ft , <b>120° angle connector</b> ,6PIN
	MC018B-3	DIN safty ECG trunk cable , <b>3-lead</b> , 9ft , <b>180° straight connector</b> ,6PIN



OEM Part No.	No.	Description (Cable & Connector)
	MC019A-3	Din safety ECG leadwires set <b>3-Lead</b> , <b>Snap, IEC</b> ,40in ,DIN
	MC019B-3	Din safety ECG leadwires set <b>3-Lead</b> , <b>Clip, AHA</b> ,40in ,DIN .
	MC019C-3	Din safety ECG leadwires set,3-Lead <b>Snap, AHA</b> ,40in ,DIN .
	MC019D-3	Din safety ECG leadwires set,3-Lead <b>Clip, IEC</b> ,40in ,DIN .
	MC020A-5	Din safety ECG leadwires set <b>5-Lead</b> , <b>Snap, IEC</b> ,40in ,DIN .
	MC020B-5	Din safety ECG leadwires set,5-Lead <b>Clip, AHA</b> ,40in ,DIN .
	MC020C-5	Din safety ECG leadwires set,5-Lead <b>Snap, AHA</b> ,40in ,DIN .
	MC020D-5	Din safety ECG leadwires set,5-Lead <b>Clip, IEC</b> ,40in ,DIN .



### Lifelink Trunk Cable and Leadwires Series

	MC021A-3	Lifelink safty ECG trunk cable , <b>3-lead</b> , 9ft , <b>120° angle</b> connector ,6PIN
	MC021B-3	Lifelink safty ECG trunk cable , 3-lead, 9ft , <b>180° straight</b> connector ,6PIN
	MC022A-5	Lifelink safty ECG trunk cable , <b>5-lead</b> , 9ft , <b>120° angle</b> connector ,6PIN
	MC022B-5	Lifelink safty ECG trunk cable , <b>5-lead</b> , 9ft , <b>180° straight</b> connector ,6PIN



## Patient Monitor Cable and Leadwire

### LL Leadwires

LL-22363-P	MC023A-3	LL safety ECG leadwires set,3-Lead <b>Snap</b> ,AHA ,40in , LL-2PIN
	MC023B-3	LL safety ECG leadwires set,3-Lead <b>Clip</b> , AHA,40in ,LL-2PIN .
	MC023C-3	LL safety ECG leadwires set,3-Lead <b>Snap,IEC</b> ,40in ,LL-2PIN .
	MC023D-3	LL safety ECG leadwires set,3-Lead <b>Clip , IEC</b> ,40in ,LL-2PIN .
LL-22305-P	MC024A-5	LL safety ECG leadwires set,5-Lead <b>Snap</b> ,AHA,40in ,LL-2PIN .
	MC024B-5	LL safety ECG leadwires set,5-Lead <b>Clip</b> , AHA,40in ,LL-2PIN .
	MC024C-5	LL safety ECG leadwires set,5-Lead <b>Snap,IEC</b> ,40in , LL-2PIN .
	MC024D-5	LL safety ECG leadwires set,5-Lead <b>Clip , IEC</b> ,40in , LL-2PIN .



### One-piece ECG cable with Leadwires :

OEM Part No.	No.	Description (Cable &Connector)
	MC025A-3	One piece ECG cable with <b>3-ld</b> , TPU, <b>AHA Snap</b> , 12ft & <b>120° angle connector,6pin</b>
	MC025B-3	One piece ECG cable with <b>3-ld</b> , TPU, <b>AHA Snap</b> , 12ft & <b>180° straight connector,6pin</b>
	MC025C-3	One piece ECG cable with <b>3-ld</b> , TPU, <b>AHA Clip</b> , 12ft & <b>120° angle connector .6pin</b>
	MC025D-3	One piece ECG cable with <b>3-ld</b> , TPU, <b>AHA Clip</b> , 12ft & <b>180° straight connector .6pin</b>
	MC025E-3	One piece ECG cable with <b>3-ld</b> , TPU, <b>IEC Snap</b> , 12ft & <b>120° angle connector,6pin</b>
	MC025F-3	One piece ECG cable with <b>3-ld</b> , TPU, <b>IEC Snap</b> , 12ft & <b>180° straight connector,6pin</b>
	MC025G-3	One piece ECG cable with <b>3-ld</b> , TPU, <b>IEC Clip</b> , 12ft & <b>120° angle connector .,6pin</b>
	MC025H-3	One piece ECG cable with <b>3-ld</b> , TPU, <b>IEC Clip</b> , 12ft & <b>180° straight connector .,6pin</b>



OEM Part No.	No.	Description (Cable &Connector)
	MC026A-5	One piece ECG cable with <b>5-ld</b> , TPU, <b>AHA Snap</b> , 12ft & <b>120° angle connector, 6pin</b>
	MC026B-5	One piece ECG cable with <b>5-ld</b> , TPU, <b>AHA Snap</b> , 12ft & <b>180° straight connector,6pin</b>
	MC026C-5	One piece ECG cable with <b>5-ld</b> , TPU, <b>AHA Clip</b> , 12ft & <b>120° angle connector .6pin</b>
	MC026D-5	One piece ECG cable with <b>5-ld</b> , TPU, <b>AHA Clip</b> , 12ft & <b>180° straight connector .6pin</b>
	MC026E-5	One piece ECG cable with <b>5-ld</b> , TPU, <b>IEC Snap</b> , 12ft & <b>120° angle connector,6pin</b>
	MC026F-5	One piece ECG cable with <b>5-ld</b> , TPU, <b>IEC Snap</b> , 12ft & <b>180° straight connector,6pin</b>
	MC026G-5	One piece ECG cable with <b>5-ld</b> , TPU, <b>IEC Clip</b> , 12ft & <b>120° angle connector .,6pin</b>
	MC026H-5	One piece ECG cable with <b>5-ld</b> , TPU, <b>IEC Clip</b> , 12ft & <b>180° straight connector .6pin</b>



**Compatibilities:** Use with Instrument : **BCI** :3101,3404,6100,6200,9100,9200, Advisor , Autocorr  
**Colin Medical:** BP308, BP408, CBM3000 **CSI** : 504US, 602-4usp, poet 2, Scholar **GE Medical:**  
 Corometrics 556, Critikon 8100T, Critikon Dinamap 8700 Series, Critikon Dinamap 9700 series  
**MEDTRONICS PHYSIO-CONTROL** : Lifepak 6, VSM-1ESF(w/resistor); **Nellor** :N-200 C-LOCK,  
 N-250 C-clock,N-1000,NPB-3900,NPB-4000, **Nihon Kohden** :BSM-8301A, BSM-8500A, BSM-8502A  
 OEC-6102A/6105A/7102A,8108A, TEC-5200a, TEC-7100A/7200A/7300A **Pace tech** Minipack 300,  
 Minipack 3000/3100, Vitalmax 800 Plus , Vitalmax 2200, Vitalmax 4000,  
 Vitalmax4000 MoDULAR, Vitalmax 4100,Vitalmax 4100CL **Philips Medical Systems** :  
 M3923A A1 Compact Monitor , M3925 A1 Compact Monitor ,M3927 A3 Compact  
 Monitor , M3929A A3 Compact Monitor **Welch Allyn** : propaq 100 series:  
 Propaq 200 Series, Propaq 200 Swries , Propaq Encore .



## Patient Monitor Cable and Leadwire

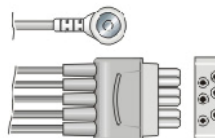
### **Nihon Kohden :**

OEM Part No.	No.	Description (Cable &Connector )
BR-002P	MC027-3	ECG leadwire set -Group <b><u>3-Lead ,Grabber, IEC, 29IN , 4PIN</u></b>
BR-004P	MC028-5	ECG leadwire set -Group <b><u>5-Lead ,Grabber, IEC, 29IN , 5PIN</u></b>
	MC028-5S	ECG leadwire set -Group <b><u>5-Lead ,Snap , IEC, 29IN , 5PIN</u></b>
BP-546S	MC030A-3	ECG leadwire set -Group <b><u>3-Lead , Snap, IEC, 29IN , 3PIN</u></b>
BR-546	MC030B-3	ECG leadwire set -Group <b><u>3-Lead ,Grabber, IEC, 29IN , 3PIN</u></b>



**Compatibilities :** Use with **Nihon Kohden** : Compatible with OEC-6102,6105,8108,TEC-7100,7200,7300


OEM Part No.	No.	Description (Cable &Connector )
CB-71308P	MC047-3D	<b><u>Nihon Kohden</u></b> 3-Lead Trunk cable, <b><u>DIN 3-Lead , NK-8PIN --&gt; DIN-3</u></b>
	MC047-5D	<b><u>Nihon Kohden</u></b> 5-Lead Trunk cable, <b><u>DIN 5-Lead , NK-8PIN --&gt;DIN-5</u></b>
BR-019	MC029A-3	ECG leadwire set -Group <b><u>3-Lead , Snap, IEC, 29IN , 6PIN</u></b>
BR-019P	MC029B-3	ECG leadwire set -Group <b><u>3-Lead , Grabber, IEC, 29IN , 6PIN</u></b>
	MC031-5	ECG leadwire set -Group <b><u>5-Lead ,Snap , IEC, 29IN , 6PIN</u></b>
BR-021P	MC031-5G	ECG leadwire set -Group <b><u>5-Lead ,Grabber , IEC, 29IN , 6PIN</u></b>
JC-005P	MC063-5	Nihon Kohden JC-005P trunk cable , IEC , <b><u>USE WITH leadwires BR-019.</u></b>



**Compatibilities :** CardioLife 5000 / 6000 / 8000, Lifescope 6 / 8 / 9 / 11, OEC-6102 A (20156), OEC-6105 A (20226), OEC-6120 A/J/K, OEC-7120 A, OEC-8108 A, TEC-5200 A (20421) /7100 / 7200 / 7300

### **JC-005P**

**Connection cable for ECG electrode lead K225, K226, K227 and K228 -**

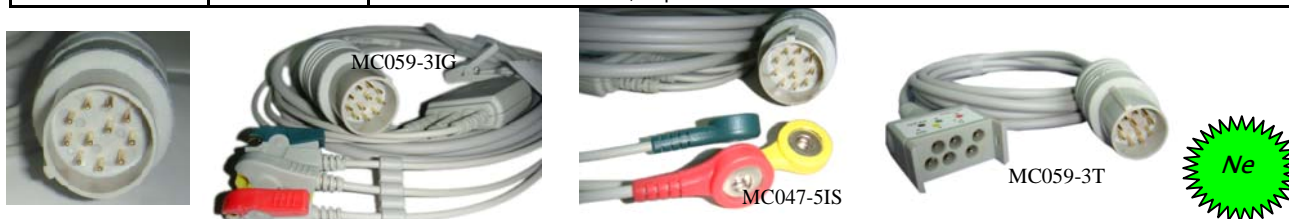
OEM Part No.	No.	Description (Cable &Connector ) MC031-5
	MC047-5AS	Nihon Kohden one piece ECG cable with leadwir <b><u>5-lead, AHA, Snap</u></b> , Round 8 pin .
	MC047-5AG	Nihon Kohden one piece ECG cable with leadwir <b><u>5-lead, AHA, Grabber</u></b> , Round 8 pin
	MC047-3AS	Nihon Kohden one piece ECG cable with leadwir <b><u>3-lead, AHA, Snap</u></b> , Round 8 pin .
	MC047-3AG	Nihon Kohden one piece ECG cable with leadwir <b><u>3-lead, AHA, Grabber</u></b> ,Round 8 pin
	MC047-5IS	Nihon Kohden one piece ECG cable with leadwir <b><u>5-lead, IEC, Snap</u></b> , Round 8 pin
	MC047-5IG	Nihon Kohden one piece ECG cable with leadwir <b><u>5-lead, IEC, Grabber</u></b> , Round 8 pin
	MC047-3IS	Nihon Kohden one piece ECG cable with leadwir <b><u>3-lead, IEC, Snap</u></b> , Round 8 pin .
	MC047-3IG	Nihon Kohden one piece ECG cable with leadwir <b><u>3-lead, IEC, Grabber</u></b> , Round 8 pin .



Created with

## Patient Monitor Cable and Leadwire

OEM Part No.	No.	Description (Cable & Connector )
	MC059-5AS	Nihon Kohden one piece ECG cable with leadwire, <b>5-lead, AHA, Snap</b> , 11pin
	MC059-5AG	Nihon Kohden one piece ECG cable with leadwire, <b>5-lead, AHA, Grabber</b> , 11pin
	MC059-3AS	Nihon Kohden one piece ECG cable with leadwire, <b>3-lead, AHA, Snap</b> , 11pin
	MC059-3AG	Nihon Kohden one piece ECG cable with leadwire, <b>3-lead, AHA, Grabber</b> , 11pin
	MC059-5IS	Nihon Kohden one piece ECG cable with leadwire, <b>5-lead, IEC, Snap</b> , 11pin
	MC059-5IG	Nihon Kohden one piece ECG cable with leadwire, <b>5-lead, IEC, Grabber</b> , 11pin
BC-763V K350A	MC059-3IS	Nihon Kohden one piece ECG cable with leadwire, <b>3-lead, IEC, Snap</b> , 11pin
BC-753V K351A	MC059-3IG	Nihon Kohden one piece ECG cable with leadwire, <b>3-lead, IEC, Grabber</b> , 11pin
	MC059-3T	Nihon Kohden trunk cable , 11pin



### Compatible with CardioLife Defibrillators, TEC-5500, TEC-7600, TEC-7700

OEM Part No.	No.	Description (Cable & Connector )
JC-906P	MC051	<b><i>Nihon Kohden</i></b> JC-906P ECG trunk cable , 6-Lead , 12pin Plug to 8pin socket <b><i>Nihon</i></b>
BR-903P	MC052A	<b><i>Kohden BR-903P</i></b> leadwires , <b>3-Lead, Grabber , IEC , 8pin socket</b> <b><i>Nihon</i></b>
BR-903PA	MC052-3AG	<b><i>Kohden BR-903PA</i></b> leadwires , <b>3-Lead, Grabber , AHA , 8pin socket</b> <b><i>Nihon</i></b>
BR-913PA	MC052-3AS	<b><i>Kohden BR-913PA</i></b> leadwires , <b>3-Lead , Snap, AHA , 8pin socket</b> <b><i>Nihon</i></b>
BR-913P	MC052-3IS	<b><i>Kohden BR-913P</i></b> leadwires , <b>3-Lead , Snap, IEC , 8pin socket</b>
<b><i>BR-906P</i></b>	MC052B	<b><i>Nihon Kohden BR-906P</i></b> leadwires , <b>6-Lead, Grabber , IEC , 8pin socket</b>
<b><i>BR-906PA</i></b>	MC052B-6AG	<b><i>Nihon Kohden BR-906P</i></b> leadwires , <b>6-Lead, Grabber , AHA , 8pin socket</b>
<b><i>BR-916PA</i></b>	MC052-6AS	<b><i>Nihon Kohden BR-916PA</i></b> leadwires , <b>6-Lead, Snap, AHA 8pin socket</b>
<b><i>BR-916P</i></b>	MC052-6IS	<b><i>Nihon Kohden BR-916P</i></b> leadwires , <b>6-Lead, Snap, IEC , 8pin socket</b>



OEM Part No.	No.	Description (Cable & Connector )
	MC051-6AS	Nihon Kohden one piece ECG cable with leadwire, <b>6-lead, AHA, Snap</b> , 12pin
	MC051-6AG	Nihon Kohden one piece ECG cable with leadwire, <b>6-lead, AHA, Grabber</b> , 12pin
	MC051-3AS	Nihon Kohden one piece ECG cable with leadwire, <b>3-lead, AHA, Snap</b> , 12pin
	MC051-3AG	Nihon Kohden one piece ECG cable with leadwire, <b>3-lead, AHA, Grabber</b> , 12pin
	MC051-6IS	Nihon Kohden one piece ECG cable with leadwire, <b>6-lead, IEC, Snap</b> , 12pin
	MC051-6IG	Nihon Kohden one piece ECG cable with leadwire, <b>6-lead, IEC, Grabber</b> , 12pin
	MC051-3IS	Nihon Kohden one piece ECG cable with leadwire, <b>3-lead, IEC, Snap</b> , 12pin
	MC051-3IG	Nihon Kohden one piece ECG cable with leadwire, <b>3-lead, IEC, Grabber</b> , 12pin

**Compatibilities** Compatible with BSM2300 Lifescope I/L, BSM-4100 Lifescope P, BSM-5100 Lifescope A , BSM-9510 Lifescope M ,BSM-9800 Lifescope S , BSM-1500 Lifescope N



## Patient Monitor Cable and Leadwire

### **Datascope**

OEM Part No.	No.	Description (Cable & Connector)
	MC017B-5	DIN safty ECG trunk cable , 5-lead, 9ft , 180° angle connector ,6PIN
	MC020C-5	Din safety ECG leadwires set,5-Lead <b>Snap,AHA</b> ,40in ,DIN .



**Compatibilites :** Use with **DATASCOPE** instrument : 2000,2001,2002,2100,2200,3000,3000A,Ballon Pump.  
M/D3 W/lead select, M/D3A,M/D4, Passport, Passport IL, Passport XG, Passport XL;  
Passport 2, Passport 2LT,Spectrum System 90,System 90T, System 96, System 97

### **Mindray/ Goldway (China)**

OEM Part No.	No.	Description (Cable & Connector)
	MC025B-3	One piece ECG cable with3-ld , <b>TPU, AHA, Snap</b> , 12ft & <b>180° straight connector, 6pin</b>
	MC025F-3	One piece ECG cable with3-ld , <b>TPU, IEC, Snap</b> , 12ft & <b>180° straight connector, 6pin</b>
	MC026B-5	One piece ECG cable with5-ld , <b>TPU, AHA, Snap</b> , 12ft & <b>180° straight connector, 6pin</b>
	MC026F-5	One piece ECG cable with5-ld , <b>TPU, IEC, Snap</b> , 12ft & <b>180° straight connector, 6pin</b>



Use with **Mindray** :PM9000,PM8000,PM7000  
Use with Goldway

OEM Part No.	No.	Description (Cable & Connector)
	MC032A-5	One-piece Shield ECG cable , <b>5-Lead, Snap, AHA</b> , 12ft , round <b>12PIN</b> .
	MC032-5AG	One-piece Shield ECG cable , <b>5-Lead</b> ,Grabber , <b>AHA</b> , 12ft , round <b>12PIN</b> .
	MC032B-5	One-piece Shield ECG cable , <b>5-Lead, Snap</b> ,IEC, 12ft, round <b>12PIN</b> .
	MC032-5IG	One-piece Shield ECG cable , <b>5-Lead, Grabber</b> ,IEC, 12ft ,round <b>12PIN</b> .
	MC033A-3	One-piece Shield ECG cable , <b>3Lead, Snap, AHA</b> , 12ft , round <b>12PIN</b> .
	MC033-3AG	One-piece Shield ECG cable , <b>3Lead</b> ,Grabber, <b>AHA</b> , 12ft , round <b>12PIN</b> .
	MC033B-3	One-piece Shield ECG cable , <b>3Lead, Snap</b> ,IEC, 12ft , round <b>12PIN</b> .
	MC03-3IG	One-piece Shield ECG cable , <b>3Lead</b> ,grabber ,IEC, 12ft , round <b>12PIN</b> .



Compatible with Mindray PM5000 , PM6000 .

### **S&W Artema**

OEM Part No.	No.	Description (Cable & Connector)
	MC034A-3	S&W ( Artema ) One piece ECG cable , <b>3-Lead, Snap</b> ,9ft & <b>10PIN</b> , <b>IEC</b>
	MC034-3AS	S&W ( Artema ) One piece ECG cable , <b>3-Lead, Snap</b> ,9ft & <b>10PIN</b> , <b>AHA</b>
13179	MC034B-3	S&W ( Artema ) One piece ECG cable , <b>3-Lead, Clip</b> ,9ft & <b>10PIN</b> , <b>IEC</b>
	MC034-3AG	S&W ( Artema ) One piece ECG cable , <b>3-Lead, Clip</b> ,9ft & <b>10PIN</b> , <b>AHA</b>
	MC035A-5	S&W ( Artema ) One piece ECG cable , <b>5-Lead, Snap</b> ,9ft & <b>10PIN</b> , <b>IEC</b>
	MC035-5AS	S&W ( Artema ) One piece ECG cable , <b>5-Lead, Snap</b> ,9ft & <b>10PIN</b> , <b>AHA</b>
	MC035B-5	S&W ( Artema ) One piece ECG cable , <b>5-Lead, Clip</b> ,9ft & 10PIN , <b>IEC</b>
	MC035-5AG	S&W ( Artema ) One piece ECG cable , <b>5-Lead, Clip</b> ,9ft & 10PIN , <b>AHA</b>



Created with

## Patient Monitor Cable and Leadwire

**Compatibilites :** Use with **S&W (Artema)**8000 System, Diascope 1.2, Neoscope ,DMS 700, defibrillator ,  
Diascope-NT, Artema System , Cardio-Aid, DS Traveller , Dsnt , DSI, DS2, MCX/LS

### Colin

OEM Part No.	No.	Description (Cable &Connector )
	MC037A-3	Colin ECG Leadwire set-Group, 3-LD, Snap , IEC, 40in & 6PIN
	MC037B-3	Colin ECG Leadwire set-Group, 3-LD, Grabber , IEC, 40in & 6PIN
	MC038A-5	Colin ECG Leadwire set-Group, 5-LD, Snap , IEC, 40in & 6PIN
	MC038B-5	Colin ECG Leadwire set-Group, 5-LD, Grabber , IEC, 40in & 6PIN
	MC039-5	Colin BP-306/BP-88 ECG Trunk cable , 5-Lead , IEC, 9ft, & L-6pin/6pin

MC039-5S Colin BP88S ECG Trunk cable , 5-Lead , IEC, 9ft, &6pin plug/6pin yoke



MC039-5



MC038B-5



MC037A-3



MC037B-3



MC039-5

**Use with Colin BP88/BP306, BP88S**

MC039-5S

**Use with Colin BP88S .**



MC039-5S

### MEK

OEM Part No.	No.	Description (Cable &Connector )
	MC041A	Din safety ECG Trunk cable , 5-lead, 9ft & DB9M .
	MC020C-5	Din safety ECG leadwires set,5-Lead <b>Snap,IEC</b> ,40in ,DIN .
	MC041-5AS	MEK one piece Cable with Leadwires, 5-Lead ,Snap,AHA
	MC041-3AS	MEK one piece Cable with Leadwires, 3-Lead ,Snap,AHA
	MC041-5IS	MEK one piece Cable with Leadwires, 5-Lead ,Snap,IEC
	MC041-3IS	MEK one piece Cable with Leadwires, 3-Lead ,Snap,IEC
	MC041-5AG	MEK one piece Cable with Leadwires, 5-Lead ,Grabber,AHA
	MC041-3AG	MEK one piece Cable with Leadwires, 3-Lead ,Grabber,AHA
	MC041-5IG	MEK one piece Cable with Leadwires, 5-Lead ,Grabber,IEC
	MC041-3IG	MEK one piece Cable with Leadwires, 3-Lead ,Grabber,IEC



MC041A



MC041-3AS

**Use with MEK Instrument : MP1000, MP600, MP500,**

### Siemens

OEM Part No.	No.	Description (Cable &Connector )
	MC042A-3I	Siemens ECG leadwire set , <b>3-Lead ,Snap,IEC</b> ,40IN & 2pin
	MC042A-3A	Siemens ECG leadwire set, <b>3-Lead ,Snap , AHA</b> , 40IN& 2pin
	MC042B-3I	Siemens ECG leadwire set , <b>3-Lead , Grabber , IEC</b> , 40IN & 2pin
	MC042B-3A	Siemens ECG leadwire set , <b>3-Lead , Grabber , AHA</b> , 40IN & 2pin
	MC043A-5I	Siemens ECG leadwire set , <b>5-Lead ,Snap,IEC</b> ,40IN & 2pin
	MC043A-5A	Siemens ECG leadwire set , <b>5-Lead ,Snap, AHA</b> ,40IN & 2pin
	MC043B-5I	Siemens ECG leadwire set , <b>5-Lead , Grabber , IEC</b> , 40IN & 2pin
	MC043B-5A	Siemens ECG leadwire set , <b>5-Lead , Grabber , AHA</b> , 40IN & 2pin
3368391	MC049	Siemens SC9000 XL Multi-Link Trunk cable ( Spo2 , 7

**Compatibilites :** Use with **Siemens** Instrument :S  
SC9000,Siemens Art. Nr33683

## Patient Monitor Cable and Leadwire



### Siemens

OEM Part No.	No.	Description (Cable & Connector)
	MC046A-3	Siemens 3-Lead Trunk Cable <b><u>3-Lead</u></b> ,Siemens 10 pin -> <b>LL/3</b> , use with <b>LL</b> leadwire
	MC046A-5	Siemens 5-Lead Trunk Cable , <b><u>5-Lead</u></b> ,Siemens 10 pin -> <b>LL/5</b> , use with <b>LL</b> leadwire .
	MC046B-3A	Siemens 3-Lead Trunk Cable <b><u>3-Lead</u></b> , <b>AHA</b> Siemens 10 pin , use with <b>siemens</b> leadwire
	MC046B-5A	Siemens 3-Lead Trunk Cable , <b><u>5-Lead</u></b> , <b>AHA</b> Siemens 10 pin , use with <b>siemens</b> leadwire
	MC046B-3I	Siemens 3-Lead Trunk Cable <b><u>3-Lead</u></b> , <b>IEC</b> Siemens 10 pin , use with <b>siemens</b> leadwire
	MC046B-5I	Siemens 3-Lead Trunk Cable , <b><u>5-Lead</u></b> , <b>IEC</b> Siemens 10 pin , use with <b>siemens</b> leadwire



MC046-3




MC046B-3A



MC046B-5A

### Siemens ONE-Piece Cable With Leadwires

OEM Part No.	No.	Description (Cable & Connector)
	MC046-5AS	Siemens one piece ECG cable with leadwire,5-lead,AHA,Snap, Siemens 10pin .
	MC046-5AG	Siemens one piece ECG cable with leadwire,5-lead,AHA,Grabber, Siemens 10pin .
	MC046-3AS	Siemens one piece ECG cable with leadwire,3-lead,AHA,Snap, Siemens 10pin .
	MC046-3AG	Siemens one piece ECG cable with leadwire,3-lead,AHA,Grabber , Siemens 10pin .
	MC046-5IS	Siemens one piece ECG cable with leadwire,5-lead,IEC,Snap, Siemens 10pin .
	MC046-5IG	Siemens one piece ECG cable with leadwire,5-lead,IEC,Grabber , Siemens 10pin .
	MC046-3IS	Siemens one piece ECG cable with leadwire,3-lead,IEC,Snap , Siemens 10pin .
	MC046-3IG	Siemens one piece ECG cable with leadwire,3-lead,IEC,Grabber , Siemens 10pin .

**Compatibilities :**    **Use with Siemens :**    Sirecust Series 400, Series 600,700, 900,1200, Sirecust 341  
/610/620/630/720/722/730/732/900/960/961/1260/1281/1801/400/-500 ECG monitor ,  
Polymed Modul, Modulbox sirem .



MC046-3IS



MC046-5IS



MC046-5IG

### Creative

OEM Part No.	No.	Description (Cable & Connector)
	MC044-3	One-piece ECG cable, <b><u>3-Lead</u></b> , <b>Snap</b> , <b>AHA</b> ,12ft, Redel-6PIN
	MC044-3IS	One-piece ECG cable, <b><u>3-Lead</u></b> , <b>Snap</b> , <b>IEC</b> ,12ft, Redel-6PIN
	MC044-3AG	One-piece ECG cable, <b><u>3-Lead</u></b> , <b>Grabber</b> , <b>AHA</b> ,12ft, Redel-6PIN
	MC044-3IG	One-piece ECG cable, <b><u>3-Lead</u></b> , <b>Grabber</b> , <b>IEC</b> ,12ft, Redel-6PIN
	MC045-5	One-piece ECG cable, <b><u>5-Lead</u></b> , <b>Snap</b> , <b>AHA</b> ,12ft, Redel-6PIN
	MC045-5IS	One-piece ECG cable, <b><u>5-Lead</u></b> , <b>Snap</b> , <b>IEC</b> ,12ft, Redel-6PIN
	MC045-5AG	One-piece ECG cable, <b><u>5-Lead</u></b> , <b>Grabber</b> , <b>AHA</b> ,12ft, Redel-6PIN
	MC045-5IG	One-piece ECG cable, <b><u>5-Lead</u></b> , <b>Snap</b> , <b>IEC</b> ,12ft, Redel-6PIN

## Patient Monitor Cable and Leadwire



### Kontron

OEM Part No.	No.	Description (Cable & Connector)
	MC050-3IS	Kontron one-piece ECG cable with leadwires <u>3-Lead</u> , <u>Snap</u> , <u>IEC</u> , 12pin
	MC050-3AS	Kontron one-piece ECG cable with leadwires <u>3-Lead</u> , <u>Snap</u> , <u>AHA</u> , 12pin
	MC050-3IG	Kontron one-piece ECG cable with leadwires <u>3-Lead</u> , <u>Grabber</u> , <u>IEC</u> , 12pin
	MC050-3AG	Kontron one-piece ECG cable with leadwires <u>3-Lead</u> , <u>Grabber</u> , <u>AHA</u> , 12pin
	MC050-5IS	Kontron one-piece ECG cable with leadwires <u>5-Lead</u> , <u>Snap</u> , <u>IEC</u> , 12pin
	MC050-5AS	Kontron one-piece ECG cable with leadwires , <u>5-Lead</u> , <u>Snap</u> , <u>AHA</u> , 12pin
	MC050-5IG	Kontron one-piece ECG cable with leadwires <u>5-Lead</u> , <u>Grabber</u> , <u>IEC</u> , 12pin
	MC050-5AG	Kontron one-piece ECG cable with leadwires <u>5-Lead</u> , <u>Grabber</u> , <u>AHA</u> , 12pin

Compatibilities : Use with **KONTRON** :7000,7135,7135B,7141,7210, 7250, 7251,K2000

Kolormon, Mcromon , Minimon , Supermon, Vitalmon . i



### Bionet

OEM Part No.	No.	Description (Cable & Connector)
	MC048-3	Bionet ECG trunk cable , 3-Lead , LL/3-> Bionet 8pin
	MC048-5	Bionet ECG trunk cable , 5-Lead , LL/5-> Bionet 8pin
LL-22363-P	MC023A-3	LL safety ECG leadwires set,3-Lead <u>Snap</u> , <u>AHA</u> ,40in ,LL-2PIN .
LL-22305-P	MC024A-5	LL safety ECG leadwires set,5-Lead <u>Snap</u> , <u>AHA</u> ,40in ,LL-2PIN .



Compatible With BIONET BM3

OEM Part No.	No.	Description (Cable & Connector)
	MC048-5AS	Bionet one piece ECG cable with leadwire, 8pin Round Connector , 5-lead,AHA,Snap,
	MC048-5AG	Bionet one piece ECG cable with leadwire,8pin Round Connector ,5-lead,AHA,Grabber
	MC048-3AS	Bionet one piece ECG cable with leadwire,8pin Round Connector ,3-lead,AHA,Snap
	MC048-3AG	Bionet one piece ECG cable with leadwire,8pin Round Connector ,3-lead,AHA,Grabber
	MC048-5IS	Bionet one piece ECG cable with leadwire,8pin Round Connector ,5-lead,IEC,Snap
	MC048-5IG	Bionet one piece ECG cable with leadwire,8pin Round Connector ,5-lead,IEC,Grabber
	MC048-3IS	Bionet one piece ECG cable with leadwire,8pin Round Connector ,3-lead,IEC,Snap
	MC048-3IG	Bionet one piece ECG cable with leadwire,8pin Round Connector ,3-lead,IEC,Grabber



MC048-3AS



MC048-5IS




MC048-5IG



MC048-3IG


## Patient Monitor Cable and Leadwire

### Mennen

OEM Part No.	No.	Description (Cable & Connector)
	MC053-5AS	<b>Mennen</b> one piece ECG cable with leadwire, 5-lead, AHA, Snap, 13pin
	MC053-5AG	<b>Mennen</b> one piece ECG cable with leadwire, 5-lead, AHA, Grabber, 13pin
	MC053-3AS	<b>Mennen</b> one piece ECG cable with leadwire, 3-lead, AHA, Snap, 13pin
	MC053-3AG	<b>Mennen</b> one piece ECG cable with leadwire, 3-lead, AHA, Grabber, 13pin
	MC053-5IS	<b>Mennen</b> one piece ECG cable with leadwire, 5-lead, IEC, Snap, 13pin
	MC053-5IG	<b>Mennen</b> one piece ECG cable with leadwire, 5-lead, IEC, Grabber, 13pin
	MC053-3IS	<b>Mennen</b> one piece ECG cable with leadwire, 3-lead, IEC, Snap, 13pin
	MC053-3IG	<b>Mennen</b> one piece ECG cable with leadwire, 3-lead, IEC, Grabber, 13pin
	MC053-3DA/I	<b>Mennen Din Type Trunk Cable , 3-Lead , 13pin</b>
	MC053-5DA/I	<b>Mennen Din Type Trunk Cable , 5-Lead , 13pin</b>



Compatibilities ; Compatible with Mennen Medical BPM-700M, Envoy .

OEM Part No.	No.	Description (Cable & Connector)
	MC069-5AS	<b>Mennen</b> one piece ECG cable with leadwire, 5-lead, AHA, Snap, 10pin
	MC069-5AG	<b>Mennen</b> one piece ECG cable with leadwire, 5-lead, AHA, Grabber, 10pin
	MC069-3AS	<b>Mennen</b> one piece ECG cable with leadwire, 3-lead, AHA, Snap, 10pin
	MC069-3AG	<b>Mennen</b> one piece ECG cable with leadwire, 3-lead, AHA, Grabber, 10pin
	MC069-5IS	<b>Mennen</b> one piece ECG cable with leadwire, 5-lead, IEC, Snap, 10pin
	MC069-5IG	<b>Mennen</b> one piece ECG cable with leadwire, 5-lead, IEC, Grabber, 10pin
	MC069-3IS	<b>Mennen</b> one piece ECG cable with leadwire, 3-lead, IEC, Snap, 10pin
	MC069-3IG	<b>Mennen</b> one piece ECG cable with leadwire, 3-lead, IEC, Grabber, 10pin
	MC069-3DA/I	<b>Mennen Din Type Trunk Cable , 3-Lead , 10pin</b>
	MC069-5DA/I	<b>Mennen Din Type Trunk Cable , 5-Lead , 10pin</b>

**Compatibilities** Use with Mennen 900, 1100, 1110, Horizon 2000 , 2100, 2200 , 5200; Horizon 9000XL , MR1200, 1270, Horizon 1280, 1300, Horizon 1380 .



### Hellige

OEM Part No.	No.	Description (Cable & Connector)
	MC056-5AS	<b>Hellige</b> one piece ECG cable with leadwire, 5-lead, AHA, Snap
	MC056-5AG	<b>Hellige</b> one piece ECG cable with leadwire, 5-lead, AHA, Grabber
	MC056-3AS	<b>Hellige</b> one piece ECG cable with leadwire, 3-lead, AHA, Snap
	MC056-3AG	<b>Hellige</b> one piece ECG cable with leadwire, 3-lead, AHA, Grabber
	MC056-5IS	<b>Hellige</b> one piece ECG cable with leadwire, 5-lead, IEC, Snap
	MC056-5IG	<b>Hellige</b> one piece ECG cable with leadwire, 5-lead, IEC, Grabber
	MC056-3IS	<b>Hellige</b> one piece ECG cable with leadwire, 3-lead, IEC, Snap
	MC056-3IG	<b>Hellige</b> one piece ECG cable with leadwire, 3-lead, IEC, Grabber



Created with

# Patient Monitor Cable and Leadwire

## BIOSYS

OEM Part No.	No.	Description (Cable & Connector )
	MC055-3AS	Biosys One-piece ECG cable, <u>3-Lead , Snap , AHA</u> , 12ft, Redel-6PIN ,
	MC055-3IS	Biosys One-piece ECG cable, <u>3-Lead , Snap , IEC</u> , 12ft, Redel-6PIN
	MC055-3AG	Biosys One-piece ECG cable, <u>3-Lead , Grabber , AHA</u> , 12ft, Redel-6PIN
	MC055-3IG	Biosys One-piece ECG cable, <u>3-Lead , Grabber , IEC</u> , 12ft, Redel-6PIN
	MC055-5AS	Biosys One-piece ECG cable, <u>5-Lead , Snap , AHA</u> , 12ft, Redel-6PIN
	MC055-5IS	Biosys One-piece ECG cable, <u>5-Lead , Snap , IEC</u> , 12ft, Redel-6PIN
	MC055-5AG	Biosys One-piece ECG cable, <u>5-Lead , Grabber , AHA</u> , 12ft, Redel-6PIN
	MC055-5IG	Biosys One-piece ECG cable, <u>5-Lead , Snap , IEC</u> , 12ft, Redel-6PIN



MC055-3AS



MC055-5IG



Compatibilities ; BIOSYS BPM-103 (OLD) .

## Bruker

OEM Part No.	No.	Description (Cable & Connector )
	MC057-4AS	Bruker One-piece ECG cable, <u>4-Lead , Snap , AHA</u> , 12ft, Round 12pin
	MC057-4I S	Bruker One-piece ECG cable, <u>4-Lead , Snap , IEC</u> 12ft, Round 12pin



MC057-4IS



Compatible with BRUKER PHYSIOGARD 910 .

## Drager

OEM Part No.	No.	Description (Cable & Connector )
	MC061-3AS	Drager One-piece Shield ECG cable , <u>3Lead , Snap , AHA</u> , 12ft , round <u>10PIN</u> .
	MC061-3AG	Drager one-piece Shield ECG cable , <u>3Lead , Grabber , AHA</u> , 12ft , round <u>10PIN</u> .
	MC061-3IS	Drager one-piece Shield ECG cable , <u>3Lead , Snap</u> , IEC, 12ft , round <u>10pin</u>
	MC061-3IG	Drager one-piece Shield ECG cable , <u>3Lead , Grabber</u> , IEC, 12ft , round <u>10PIN</u> .



MC061-3IS



Compatible with Drager UM1/3/3.1 , RM1, PM8010 , PM8014 Babyguard 8000 , Cato, Babylog 8000/8000 plus , PB8800 Series 8000, Cicero , Parameterbox

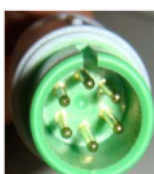


## M&B Electronic Instruments

OEM Part No.	No.	Description (Cable & Connector )
	MC064-3AS	M&B One-piece Shield ECG cable , <u>3Lead , Snap , AHA</u> , 12ft , round <u>6PIN</u> .
	MC064-3AG	M&B One-piece Shield ECG cable , <u>3Lead , Grabber , AHA</u> , 12ft , round <u>6PIN</u> .
	MC064-3IS	M&B One-piece Shield ECG cable , <u>3Lead , Snap</u> , IEC, 12ft , round <u>6PIN</u> .
	MC064-3	M&B One-piece Shield ECG cable , <u>3Lead , Snap</u> , IEC, 12ft , round <u>6PIN</u> .



MC064-3AS



Created with



Patient Monitor Cable and Leadwire

**MEDTRONIC PHYSIO -CONTROL**

OEM Part No.	No.	Description (Cable &Connector )
	MC066-3AS	<b>MEDTRONIC PHYSIO-CONTROL</b> ECG cable, <u>3-Lead , Snap , AHA</u> ,Round 12pin
	MC066-3IS	<b>MEDTRONIC PHYSIO-CONTROL</b> ECG cable, <u>3-Lead , Snap , IEC</u> ,12ft, Round 12pin
	MC066-3AG	<b>MEDTRONIC PHYSIO-CONTROL</b> ECG cable, <u>3-Lead , Grabber , AHA</u> ,12ft, Round 12pin
	MC066-3IG	<b>MEDTRONIC PHYSIO-CONTROL</b> ECG cable, <u>3-Lead , Grabber , IEC</u> ,12ft, Round 12pin
	MC066-5AS	<b>MEDTRONIC PHYSIO-CONTROL</b> ECG cable, <u>5-Lead , Snap , AHA</u> ,12ft, Round 12pin
	MC066-5IS	<b>MEDTRONIC PHYSIO-CONTROL</b> ECG cable, <u>5-Lead , Snap , IEC</u> ,12ft, Round 12pin
	MC066-5AG	<b>MEDTRONIC PHYSIO-CONTROL</b> ECG cable, <u>5-Lead , Grabber , AHA</u> ,12ft, Round 12pin
	MC066-5IG	<b>MEDTRONIC PHYSIO-CONTROL</b> ECG cable, <u>5-Lead , Snap , IEC</u> ,12ft, Round 12pin



Compatibilities : Compatible with MEDTRONIC PHYSIO-CONTROL Lifepak 12 ,120  
Lifeak 20

**Lohmeier**

OEM Part No.	No.	Description (Cable &Connector )
98.060.120/A	MC067	<b>Lohmeier Multi-parameter Trunk Cable,(IBP*2, Temperature*2, 5-lead ECG , Spo2 )</b>



OEM Part No.	No.	Description (Cable &Connector )
5590539	MC068	<b>DRAGER 5590539 Multi-Parameter NEOMED Trunk Cable (temp*2,ECG,SPO2, FIO2 )</b>

DRAGER 5590539 Multi-Parameter NEOMED Trunk Cable  
Multiparameter cable to monitor neonatal 3-lead ECG,  
impedance respiration, SpO2, two temperatures  
(Infinity modular monitors only), and FiO2 (Infinity  
modular monitors only). Not for use during  
electrosurgery Including: - Pod mount.



**Medtronic**

OEM Part No.	No.	Description (Cable &Connector )
5433 A	MC070	<b>Medtronic 5433 A Pulse Generator Pacing Cable</b>



Use with Medtronic 5318 and 5438 Pulse Generator  
Hyperstronic 2 pin to device



Schiller

OEM Part No.	No.	Description (Cable &Connector )
2.400209	MC071	Schiller 3-lead ECG cable with 3-lead IEC grabber leadwires .

